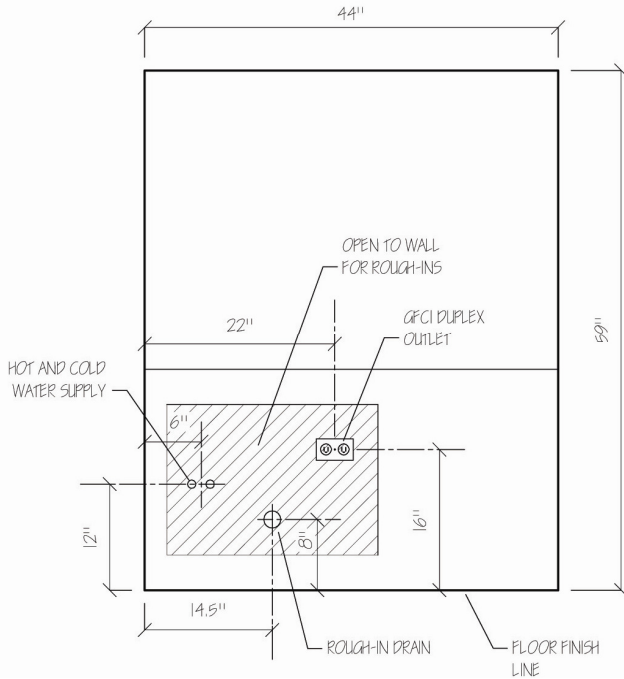


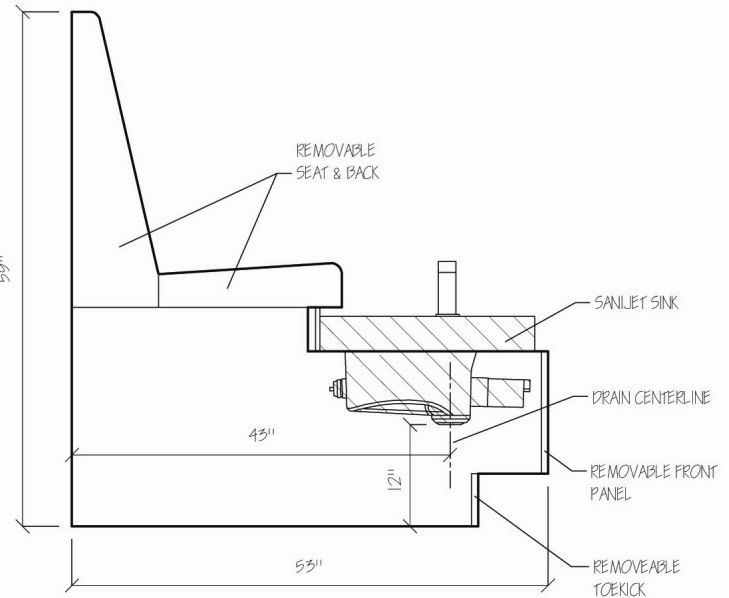


## SANIJET PEDICURE BENCH SPECIFICATIONS & DETAILS

Ask About  
Custom Sizes!



### FRONT VIEW—SINGLE UNIT



### SIDE VIEW—PEDICURE BENCH

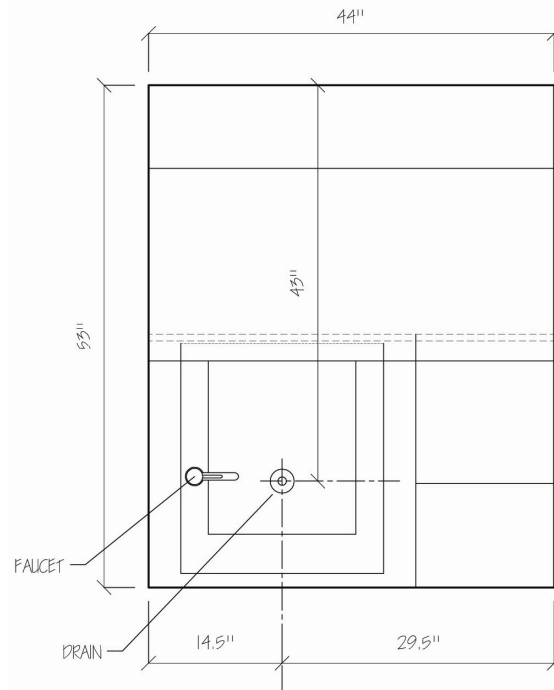
#### SANIJET SINK CONSTRUCTION AND STANDARD FEATURES

- TWO PATENTED ULTRA-QUIET PIPE-LESS JETS
- WATER FLOW RATE: 36 GALLONS PER MINUTE
- RECOMMENDED WATER SUPPLY:  
HOT/COLD: FLOOR MOUNT INSTALLATION - 1/2" N.P.T.  
MAXIMUM WATER SUPPLY PRESSURE: 125 PSI
- OPERATING WATER CAPACITY: 4.5 GALLONS
- OUTGOING WATER/DRAIN DIAMETER: 1-1/2" N.P.T.
- ELECTRICAL: 115V, 60 HZ, 2 AMP, DEDICATED GFCI
- 3 FT, 16/3 POWER CORD INCLUDED
- ONE YEAR COMMERCIAL LIMITED WARRANTY ON PARTS
- LISTED: ETL
- CERTIFIED: NSF INTERNATIONAL PROTOCOL P182—PIPE-LESS HYDROTHERAPY JETS

#### NOTES:

- IT IS THE RESPONSIBILITY OF THE PURCHASER AND THE INSTALLER TO MAKE SURE THAT THE INSTALLATION IS IN ACCORDANCE WITH ALL LOCAL CODES.
- THE FLOOR MUST BE LEVEL AND STRONG

**SELECT SINK COLOR: WHITE OR BONE**



### TOP VIEW—SINGLE UNIT



Division of Michele Pelafas, Inc.  
800 Enterprise Drive  
Suite 212  
Oak Brook, IL 60523  
USA

Phone: 866.990.7750  
Fax: 630.990.7780  
E-mail: [sales@pedicurebenches.com](mailto:sales@pedicurebenches.com)