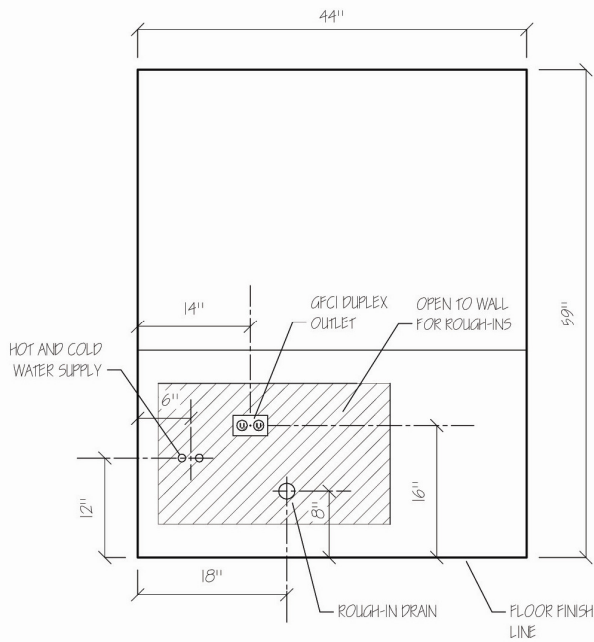


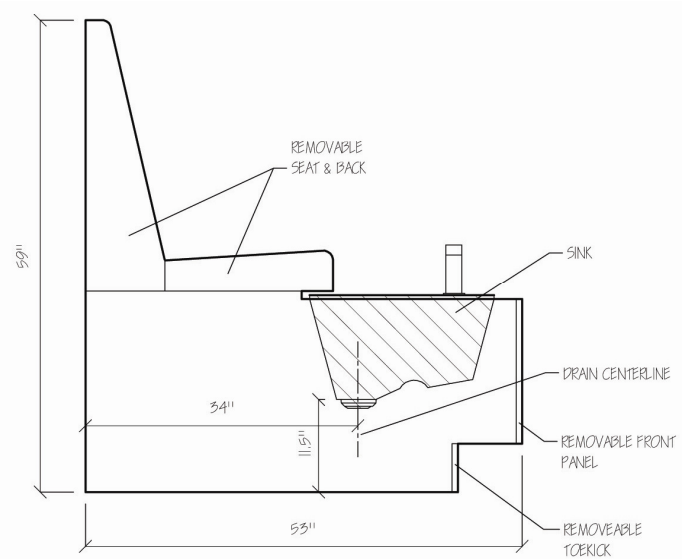


## SISSY PEDICURE BENCH SPECIFICATIONS & DETAILS

Ask About  
Custom Sizes!



### FRONT VIEW—SINGLE UNIT



### SIDE VIEW—PEDICURE BENCH

#### SINK CONSTRUCTION AND STANDARD FEATURES

- ♦ DURABLE LUCITE CAST ACRYLIC SHELL IS EXTREMELY SCRATCH & STAIN RESISTANT, YET RENEWABLE BECAUSE THE COLOR GOES ALL THE WAY THROUGH THE MATERIAL
- ♦ NON-POROUS SURFACE MAKES CLEANING EASIER
- ♦ REINFORCEMENT CONSISTING OF MULTI-LAYERED BACKING OF THICK FIBERGLASS/ RESIN/ TITANIUM
- ♦ 4 MULTI-DIRECTIONAL POINT MASSAGE JETS.
- ♦ 1.0 BHP PUMP AND ONE SUCTION FITTING.
- ♦ ON/OFF CONTROL AND SILENT AIR VOLUME CONTROL.
- ♦ 2" DRAIN
- ♦ ERGONOMIC DESIGN INCLUDES SLOPED FLOOR, CONCAVE CALF RECESSES AND INTEGRATED RAISED STRETCH BAR IN THE SINK FLOOR FOR FOOT EXERCISES
- ♦ CSA CERTIFIED C/US; NAHB CERTIFIED
- ♦ MEETS OR EXCEEDS ASTM D2565 AND ANSI Z 124.6 1997
- ♦ LIMITED WARRANTY: 1 YEAR

#### OPTIONAL SINK UPGRADES & ADD-ONS

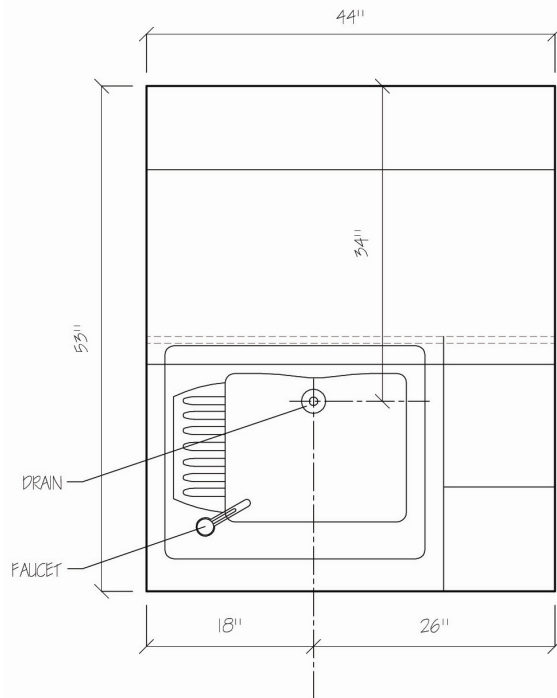
- ♦ PATENTED FILL-FLUSH CLEANING SYSTEM BUILT-IN WITH BACKFLOW PREVENTOR
- ♦ FACTORY INSTALLED MIXING VALVE (ONLY WITH FILL-FLUSH CLEANING SYSTEM)
- ♦ HAND HELD SPRAY IN CHROME OR BRUSHED NICKEL
- ♦ CABLE-DRIVEN DRAIN KIT IN CHROME OR BRUSHED NICKEL
- ♦ FRESH WAVE CLEANING SOLUTION PACK OF 3
- ♦ FRESH WAVE CLEANING SOLUTION CASE OF 12

**ELECTRICAL REQUIRED:** 1-15 AMP; 110 VOLT GFCI OUTLET

#### NOTES:

- ♦ IT IS THE RESPONSIBILITY OF THE PURCHASER AND THE INSTALLER TO MAKE SURE THAT THE INSTALLATION IS IN ACCORDANCE WITH ALL LOCAL CODES.
- ♦ THE FLOOR MUST BE LEVEL AND STRONG

**SELECT COLOR:** WHITE, BONE, BLACK, BROWN



### TOP VIEW—SINGLE UNIT



Division of Michele Pelafas, Inc.  
800 Enterprise Drive  
Suite 212  
Oak Brook, IL 60523  
USA

Phone: 866.990.7750  
Fax: 630.990.7780  
E-mail: [sales@pedicurebenches.com](mailto:sales@pedicurebenches.com)